

This design is licensed under CC BY 4.0.
 To view a copy of this license, visit
<https://creativecommons.org/licenses/by/4.0>

Hat Labs Ltd

Sheet: /
 File: SH-ESP32-engine-hat.kicad_sch

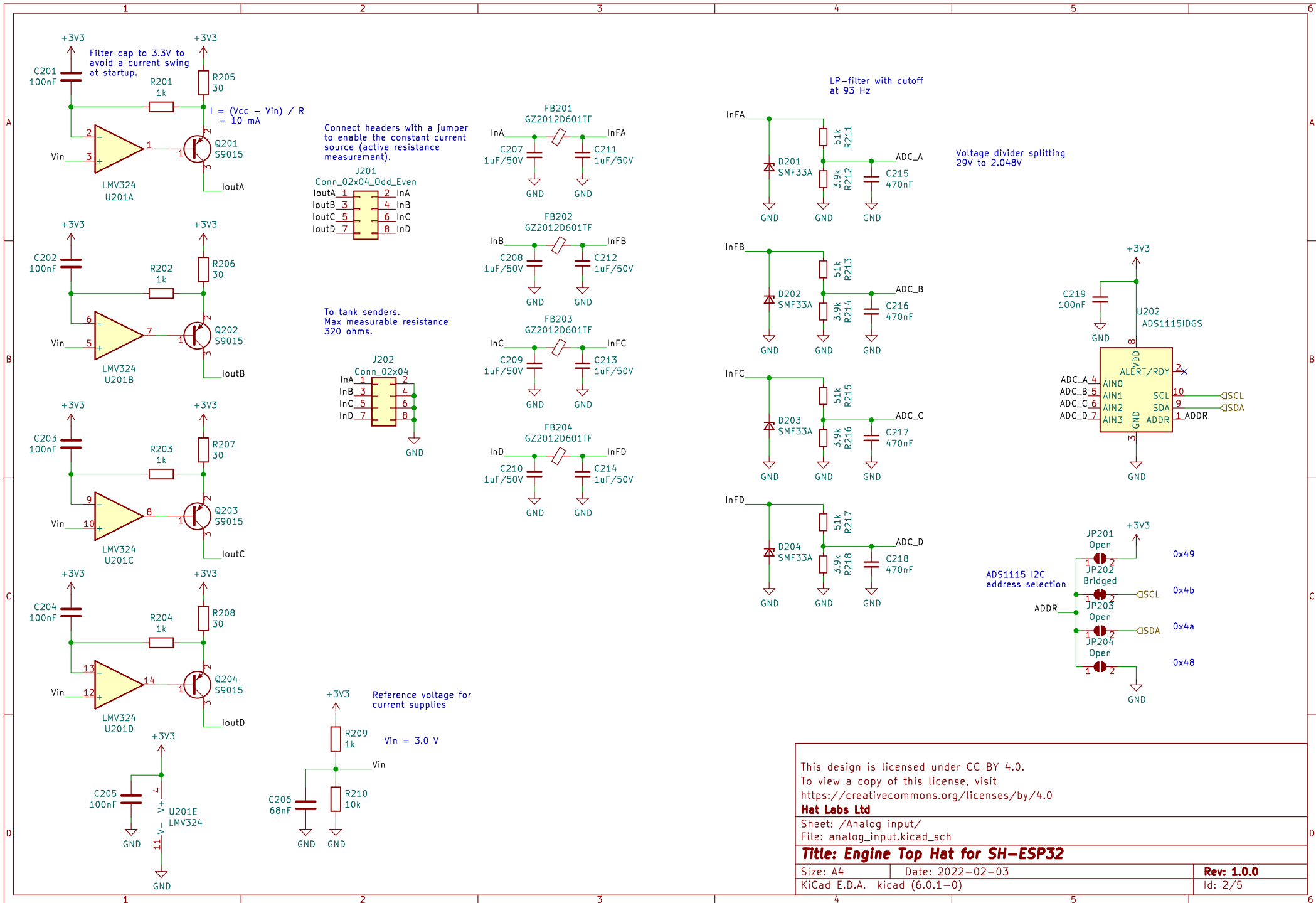
Title: Engine Top Hat for SH-ESP32

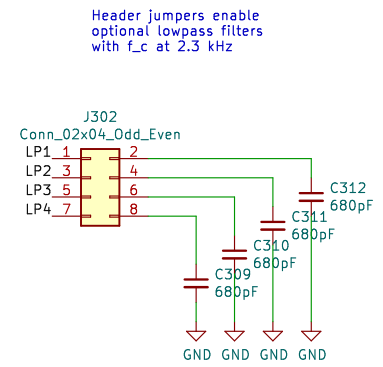
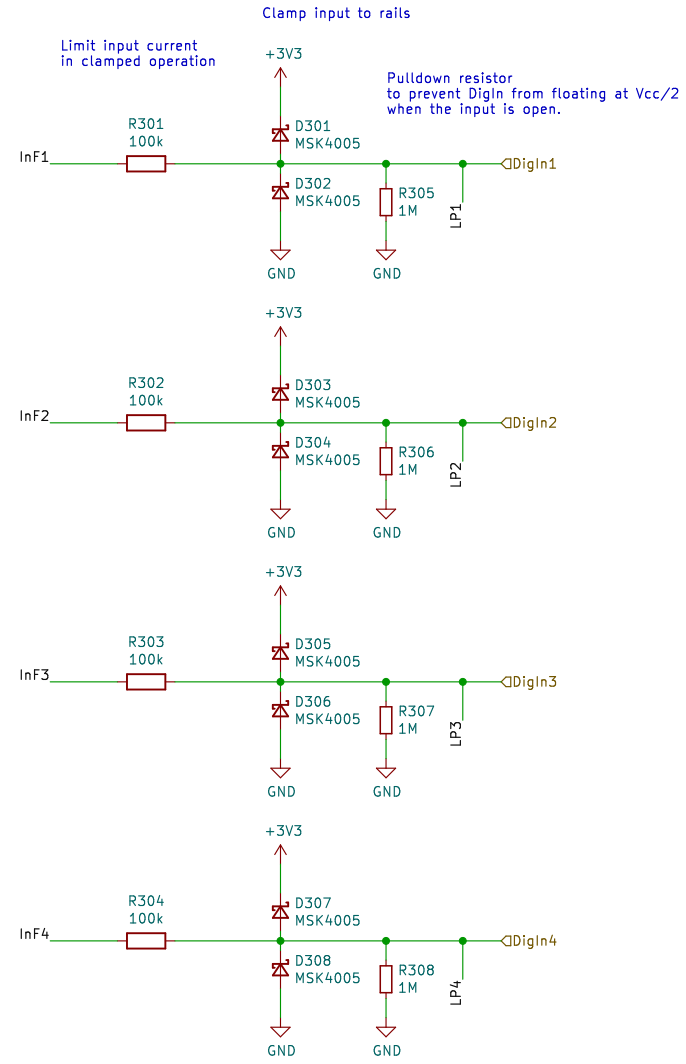
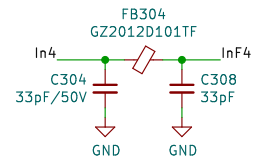
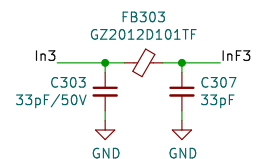
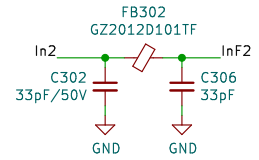
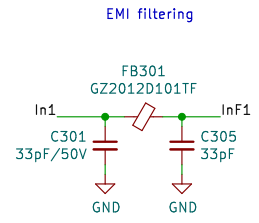
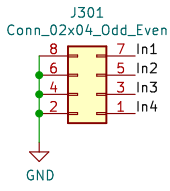
Size: A4 Date: 2022-02-03

Rev: 1.0.0

KiCad E.D.A. kicad (6.0.1-0)

Id: 1/5





This design is licensed under CC BY 4.0.

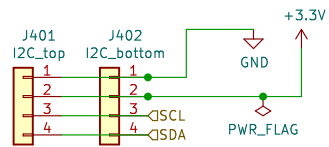
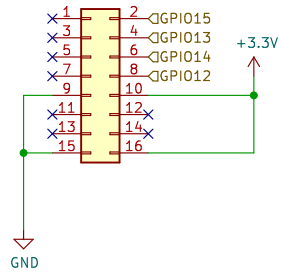
<https://creativecommons.org/licenses/by/4.0>

Sheet: /Digital input/
File: digital_input.kicad_sch

Title: Engine Top Hat for SH-ESP32

Size: A4	Date: 2022-02-03	Rev: 1.0.0
KiCad E.D.A. kicad (6.0.1-0)		Id: 3/5

GPIO subset
J403



This design is licensed under CC BY 4.0.
To view a copy of this license, visit
<https://creativecommons.org/licenses/by/4.0>

Hat Labs Ltd

Sheet: /IOHeader/
File: IOHeader.kicad_sch

Title: Engine Top Hat for SH-ESP32

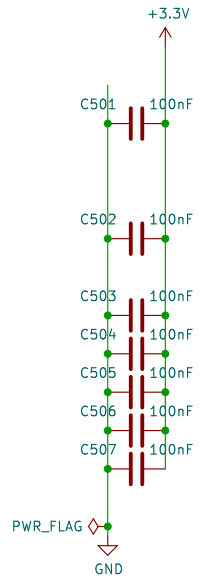
Size: A4 Date: 2022-02-03

KiCad E.D.A. kicad (6.0.1-0)

Rev: 1.0.0

Id: 4/5

Decoupling caps



- G501
CC-BY
- G502
CE-Logo
- G503
WEEE-Logo
- G504
OSHW-Logo
- G505
HL-Logo

This design is licensed under CC BY 4.0.
To view a copy of this license, visit
<https://creativecommons.org/licenses/by/4.0>

Hat Labs Ltd

Sheet: /PCB/
File: PCB.kicad_sch

Title: Engine Top Hat for SH-ESP32

Size: A4 Date: 2022-02-03

Rev: 1.0.0

KiCad E.D.A. kicad (6.0.1-0)

Id: 5/5